

The body of motor and pump is made of rigid cast iron which can be used for long-lasting durability. Greatly increased maximum submersion depth due to mechanical seal resistant to high pressure. The impeller and Inlet plate are made of high chrome alloy. The hardness of this material is at least 58 HR, it's more durable than other materials. Due to the special design of the water passage, the water can make the motor cool down when they pass through the pump body. With the vertical outlet design at the top, this pump can be used in smaller space. This pump has built-in thermal protection to protect the motor over thousands of times. This pump has the special technology of the cable, so you don't need to worry about the leakage of water from cable any more. Discharge 50mm (2") to 150mm (6"). motor 1.5kW (2HP) to 15kW(20HP).



Specification

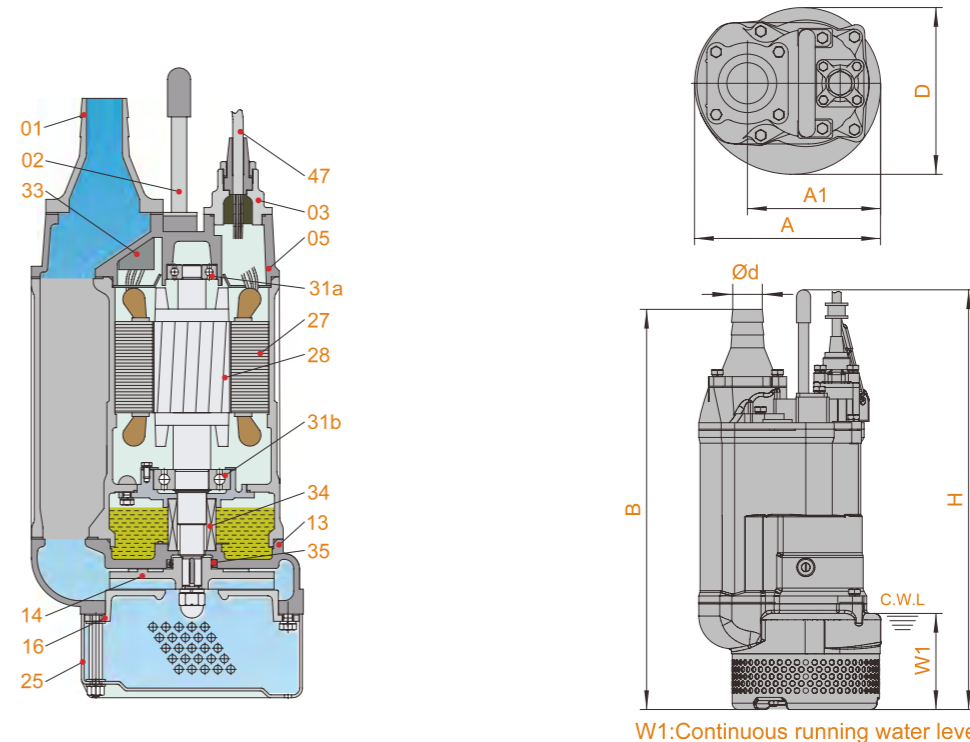
- Capacity: up to 160 m³/h
- Head: up to 57 meters
- Power: 1.5kW(2HP) to 15 kW (20HP)
- Power supply: three phase 380V±10%,50Hz
380V±10%,60Hz
- Insulation class: F
- Protection class: IP68
- Cable length: 8m
- Water temperature: up to 40°C
- Max.water depth: 25m

Application

- Civil engineering
- Mines, quarries, coal ore & slurries
- Sewage treatment plants
- General pumping purposes

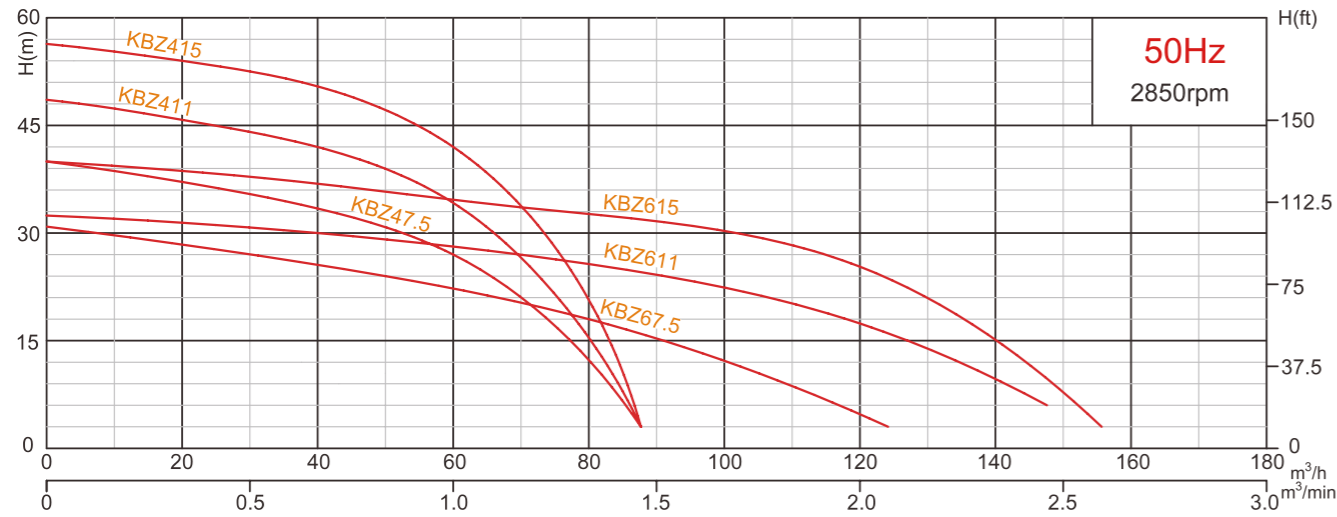
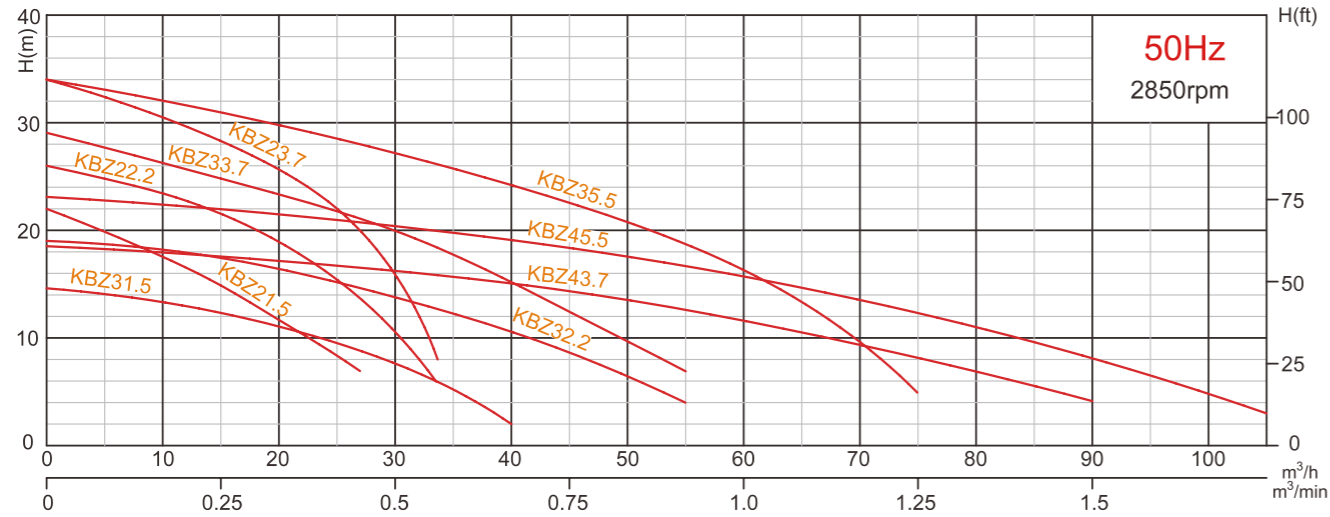
Special features on request

- Other voltages
- The length of cable is optional

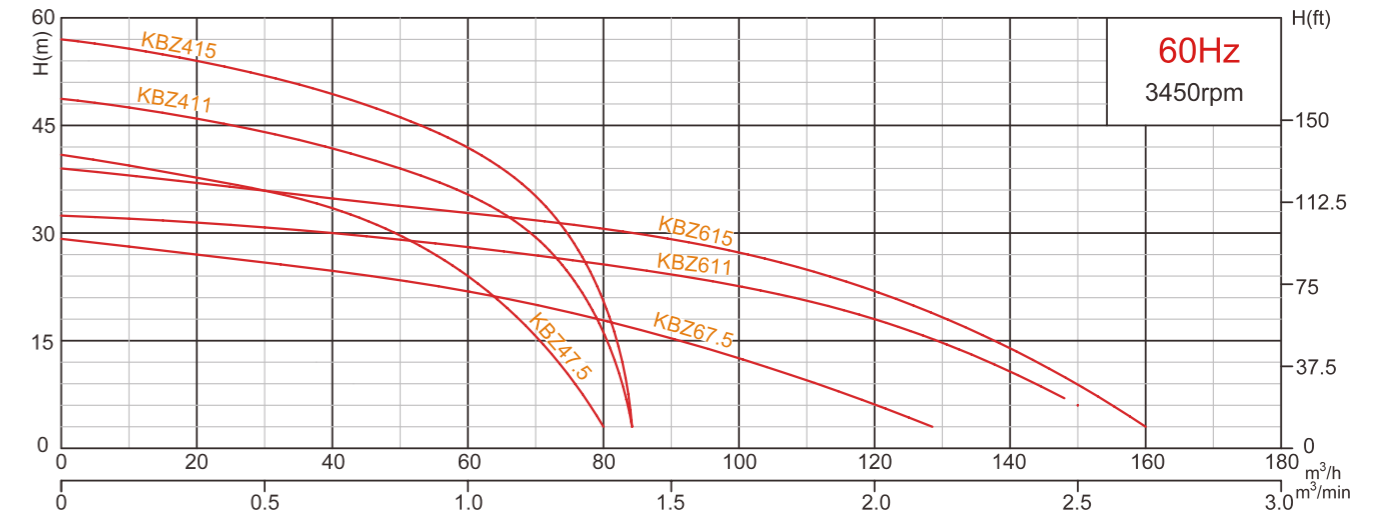
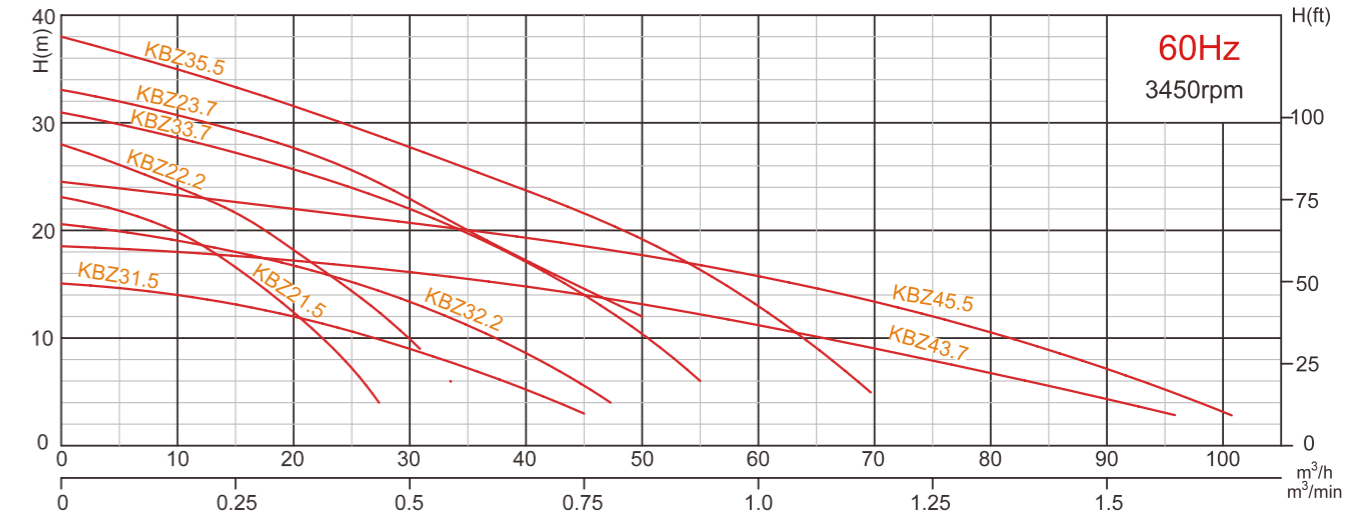


Item No.	Part name	Material	Item No.	Part name	Material
01	Hose coupling	Cast iron	27	Stator	
02	Handle	Rubber&steel	28	Rotor	Shaft:AISI420SS
05	Upper cover	Cast iron	31a	bearing	Ball bearing
11	Motor body	Cast iron	31b	bearing	Ball bearing
13	Pump body	Cast iron	33	Motor protector	
14	Impeller	High chrome alloy	34	Mechanical seal	Sic-Sic/Carbon-Sic(≤2.2kW) Sic-Sic/Sic-Sic(≤3.7kW)
16	Inlet plate	High chrome alloy	35	Oil seal	
25	Strainer	Steel	47	Cable	

Model	d	A	A1	B	D	H	W1	N.W	G.W	Packing dimension
(50/60Hz)	mm	mm	mm	mm	mm	mm	mm	Kg	Kg	(mm)
KBZ21.5	50	235	173	535	216	505	120	36	40	590*290*260
KBZ31.5	80	235	173	535	216	505	120	36	40	590*290*260
KBZ22.2	50	235	173	535	216	505	120	39	43	590*290*260
KBZ32.2	80	235	173	535	216	505	120	39	43	590*290*260
KBZ23.7	50	283	208	628	252	629	150	63	68	690*340*330
KBZ33.7	80	283	208	628	252	629	150	63	68	690*340*330
KBZ43.7	100	283	208	642	252	629	150	63	68	690*340*330
KBZ35.5	80	283	208	671	252	590	150	77	84	740*370*380
KBZ45.5	100	283	208	686	252	590	150	77	84	740*370*380
KBZ47.5	100	330	240	764	314	676	190	106	116	810*370*410
KBZ67.5	150	330	240	790	314	676	190	108	119	860*430*450
KBZ411	100	373	255	807	350	695	190	136	148	840*370*410
KBZ611	150	373	255	807	350	695	190	139	150	860*430*450
KBZ415	100	373	255	842	350	755	190	144	158	890*430*450
KBZ615	150	373	255	842	350	755	190	146	160	890*430*450



Model 50HZ	Outlet mm	Motor power		Rated current (400V) A	Rated capacity		Rated head m	Max capacity		Max head m	Impeller passage mm
		kW	HP		m³/h	m³/min		m³/h	m³/min		
KBZ21.5	50	1.5	2	3.5	15	0.25	15	27	0.45	22	8.5
KBZ31.5	80	1.5	2	3.5	30	0.50	8	40	0.67	14.5	8.5
KBZ22.2	50	2.2	3	5.0	18	0.30	20	33	0.55	26	8.5
KBZ32.2	80	2.2	3	5.0	36	0.60	11	55	0.92	19	8.5
KBZ23.7	50	3.7	5	7.7	12	0.20	30	33	0.55	34	8.5
KBZ33.7	80	3.7	5	7.7	30	0.50	20	55	0.92	29	8.5
KBZ43.7	100	3.7	5	7.7	60	1.0	11.5	90	1.50	18.5	8.5
KBZ35.5	80	5.5	7.5	11.4	36	0.60	25	75	1.25	34	8.5
KBZ45.5	100	5.5	7.5	11.4	60	1.0	16	105	1.75	23	8.5
KBZ47.5	100	7.5	10	15	48	0.8	30	84	1.40	40	11.5
KBZ67.5	150	7.5	10	15	90	1.60	15	124.8	2.08	31	19.5
KBZ411	100	11	15	22	60	1.0	35	84	1.40	48.5	11.5
KBZ611	150	11	15	22	102	1.70	22	147	2.45	32	19.5
KBZ415	100	15	20	29.5	60	1	42	84	1.40	56	11.5
KBZ615	150	15	20	29.5	102	1.7	30	156	2.6	40	19.5



Model 60HZ	Outlet mm	Motor power		Rated current (400V) A	Rated capacity		Rated head m	Max capacity		Max head m	Impeller passage mm
		kW	HP		m³/h	m³/min		m³/h	m³/min		
KBZ21.5	50	1.5	2	3.5	15	0.25	16.5	27	0.45	23	8.5
KBZ31.5	80	1.5	2	3.5	30	0.50	9	45	0.75	15	8.5
KBZ22.2	50	2.2	3	5.1	18	0.30	20	31	0.52	28	8.5
KBZ32.2	80	2.2	3	5.1	30	0.60	13	47	0.78	20.5	8.5
KBZ23.7	50	3.7	5	8.0	12	0.2	30	50	0.83	33	8.5
KBZ33.7	80	3.7	5	8.0	30	0.5	22	55	0.92	31	8.5
KBZ43.7	100	3.7	5	8.0	60	1.0	11.5	96	1.6	18.5	8.5
KBZ35.5	80	5.5	7.5	11.6	36	0.60	25	69	1.15	38	8.5
KBZ45.5	100	5.5	7.5	11.6	60	1.0	16	102	1.70	24.4	8.5
KBZ47.5	100	7.5	10	15.4	48	0.8	30	80	1.33	41	11.5
KBZ47.5	150	7.5	10	15.4	90	1.60	15	127	2.12	31	19.5
KBZ411	100	11	15	22.5	60	1.0	35	84	1.40	48.5	11.5
KBZ611	150	11	15	22.5	102	1.70	22	147	2.45	32	19.5
KBZ415	100	15	20	30	60	1.0	42	84	1.40	57	11.5
KBZ615	150	15	20	30	102	1.70	27	160	2.67	39	19.5